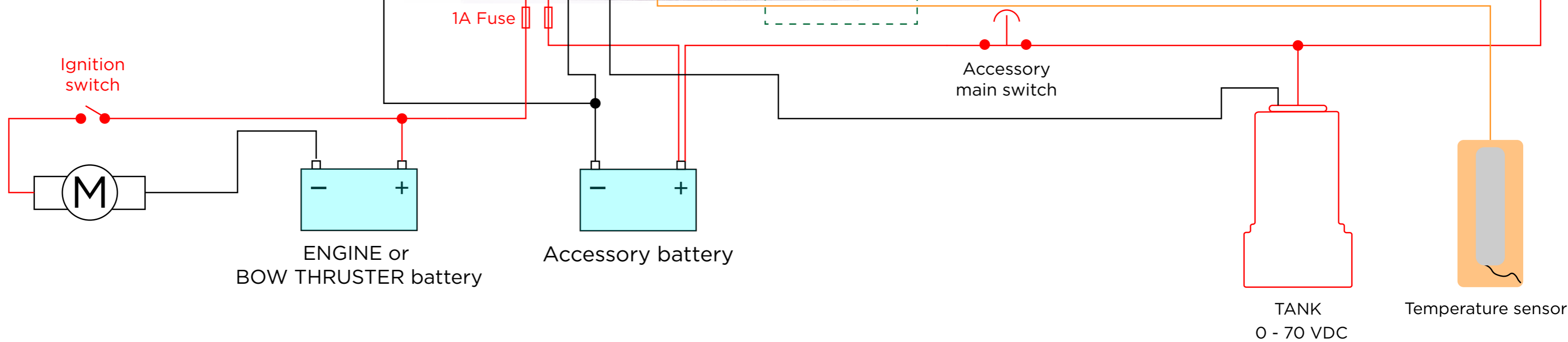
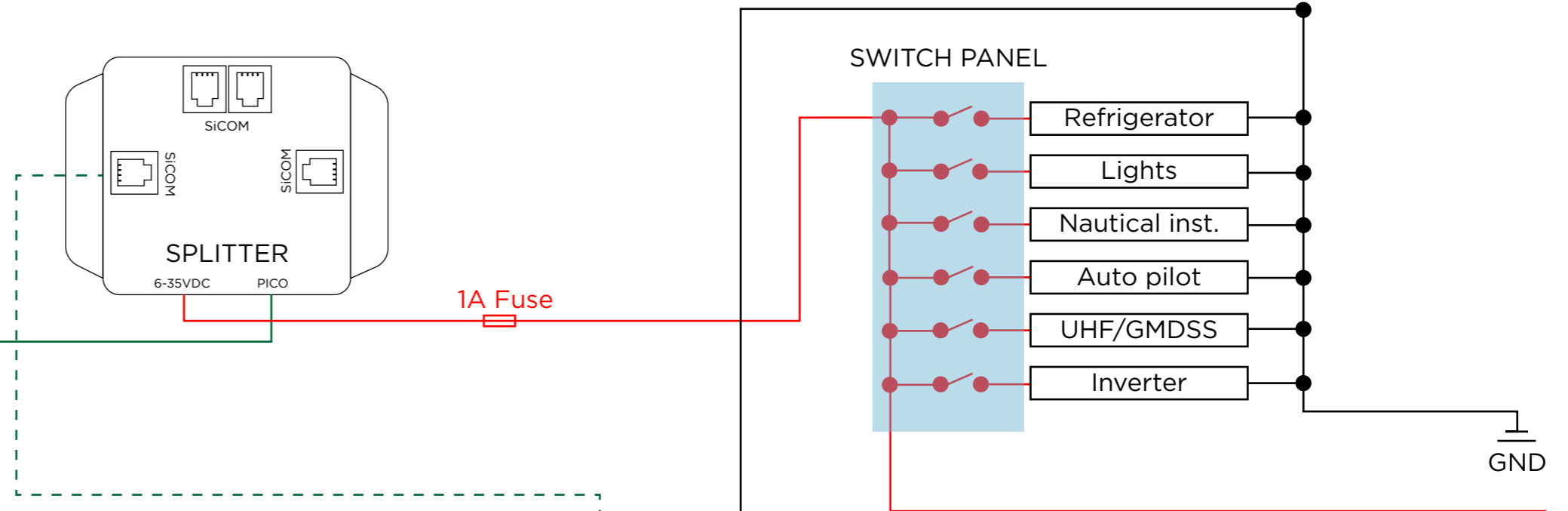
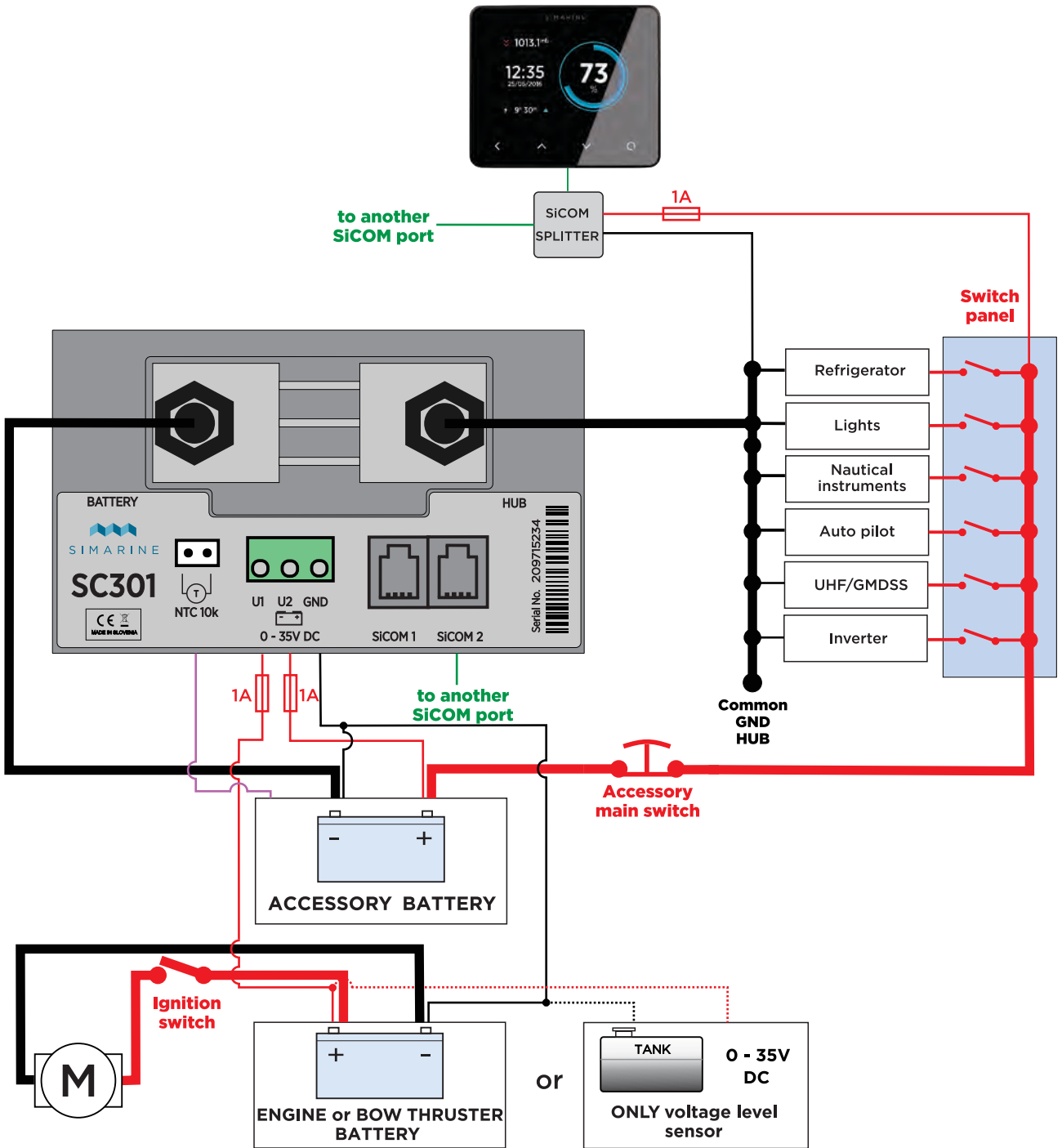


Basic Wiring Diagram for the SC303



- Note**
- Positive
 - Negative
 - Data
 - NTC
 - M Motor
 - GND Ground
- SIMARINE components used:
- PICO / Caravan Panel
 - SC303
 - SPLITTER
 - Temperature sensor



Note:

- +
- -
- data
- temperature